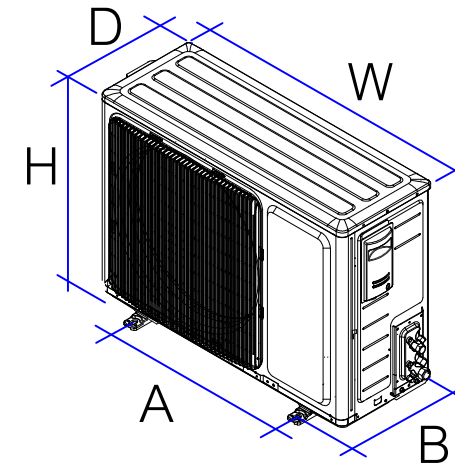
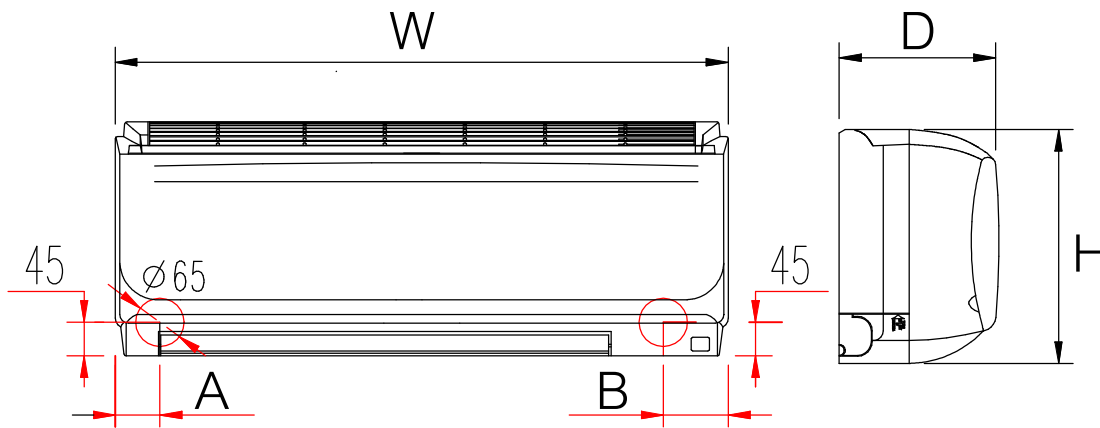


DIMENSION

" WL(R-32) SERIES "



AMENA



Unit : mm.

FCU MODEL	DIMENSION					PIPE SIZE	
	W	D	H	A	B	Liq.	Suc.
R-32							
WL09BA-MNVKE	824	230	315	60	87	1/4"	3/8"
WL13BA-MNVKE							
WL18BA-MNVKE	1147	230	315	60	150	1/4"	5/8"
WL24BA-MNVKE							
WL30B-MNVLE							
WL36B-MNVKE,LE	1557	300	378	120	120	3/8"	5/8"
WL44B-MNVLU							
WL48B-MNVLU							

CDU MODEL	DIMENSION					FAN
	W	D	H	A	B	Q'ty
R-32						
KC09BA-RSVKE	810	290	540	540	280	1
KC13BA-RSVKE						
KC18BA-RSVKE	895	310	540	545	315	
KC24BA-RSVKE	960	350	700	630	350	
KC30B-RSVLE	990	365	980	639	360	
KC36B-RSVKE						
KC36B-RSYLE						
KC44B-RSYLU						
KC48B-RSYLU						



WL09-30B(เบอร์ดี้5)



WL36B(เบอร์ดี้5)
WL44-48B(UCP)



KC09-24BA
(เบอร์ดี้5)



KC30-36B
(เบอร์ดี้5)



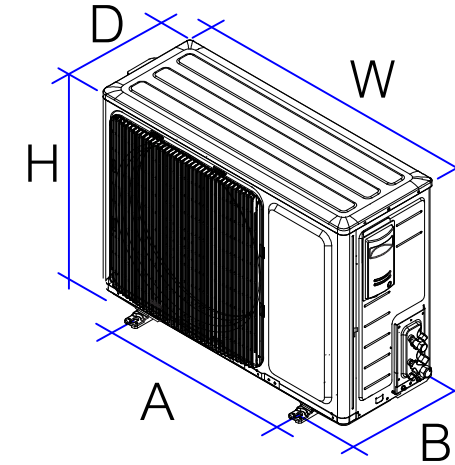
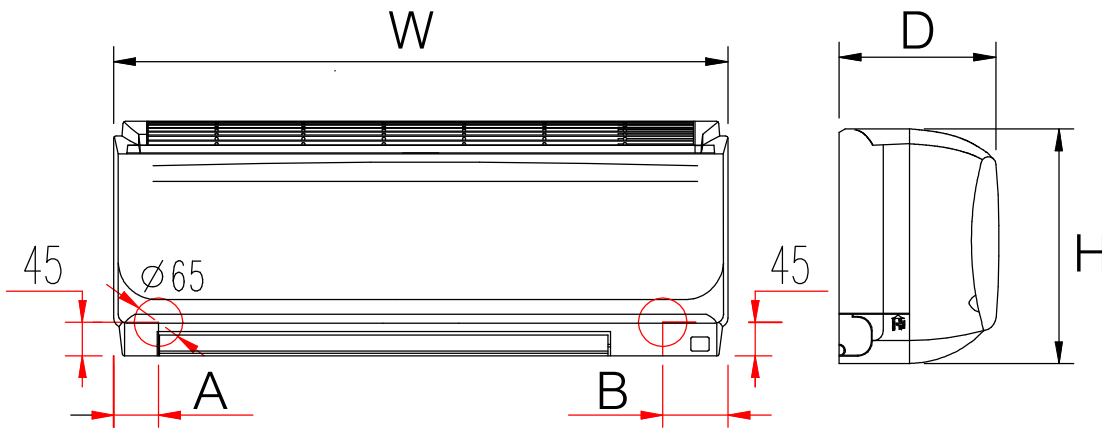
KC44-48B
(UCP)

DIMENSION

" WL(R-410A) SERIES "



AMENA



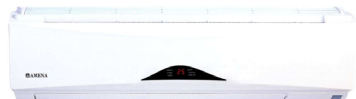
Unit : mm.

FCU MODEL	DIMENSION					PIPE SIZE	
	W	D	H	A	B	Liq.	Suc.
R-410A							
WL09A-MNVKE	824	230	315	60	87	1/4"	3/8"
WL13A-MNVKE						1/4"	1/2"
WL18A-MNVKE	1147	230	315	60	150	1/4"	5/8"
WL24A-MNVKE							
WL30A-MNVKM							
WL36A-MNVKM							
WL30A-MNVFE						3/8"	5/8"
WL36A-MNVKE							
WL44A-MNVKU							
WL48A-MNVKU	1557	300	378	120	120	1/2"	3/4"
WL54A-MNVKU							
WL60A-MNVKU, LU							

CDU MODEL	DIMENSION					FAN
	W	D	H	A	B	Q'ty
R-410A						
KC09A-RSVKE	718	285	555	480	315	1
KC13A-RSVKE	718	285	555	480	315	
KC18A-RSVKE	800	285	555	480	315	
KC24A-RSVKE	840	340	777	530	360	
KC30A-RSVKM	840	334	735	530	360	
KC36A-RSVKM	840	334	903	530	360	
KC30A-RSVFE	840	334	903	530	360	
KC36A-RS(V,Y)KE	970	340	1250	639	360	2
KC44A-RSYKU	970	340	1250	639	360	
KC48A-RSYKU	970	340	1250	639	360	
KC54A-(R,S)SYKU	970	340	1340	639	360	
KC60A-(R,S)SYKU						



WL09-30A(เบอร์ดี้)
WL30-36A(มอก.)



WL36A(เบอร์ดี้)
WL44-60A(UCP)



KC09-18A
(เบอร์ดี้)



KC24-30A
(เบอร์ดี้)



KC30-36A
(มอก.)



KC36A
(เบอร์ดี้)



KC44-60A
(UCP)