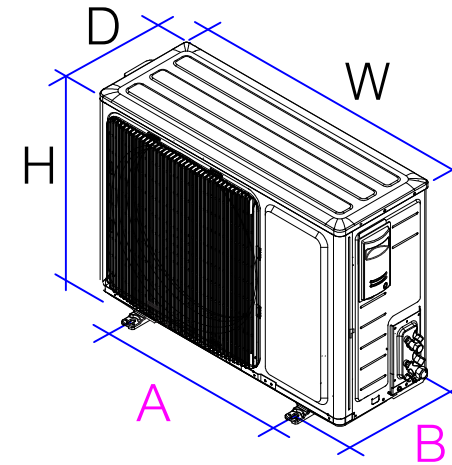
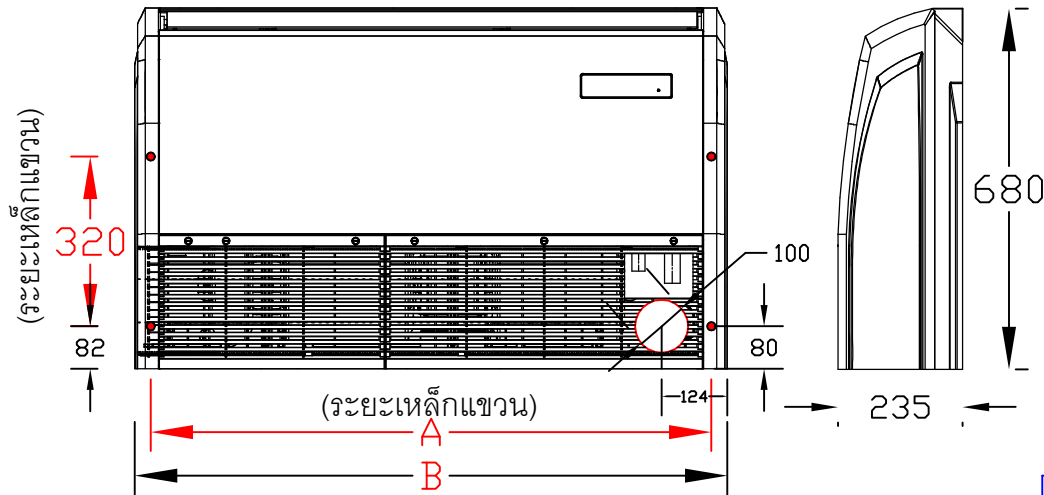


# DIMENSION

# " SKV(R-32) SERIES "



# AMENA



Unit : mm.

FCU MODEL	DIMENSION		PIPE SIZE		ตำแหน่ง ตัวฉีดน้ำยา
	A	B	Liq.	Suc.	
<b>R-32 INVERTER</b>					CDU
SKV13B-MNVKE	1050	1110	1/4"	1/2"	
SKV18B-MNVKE					
SKV24B-MNVKE	1230	1290	1/4"	5/8"	
SKV30B-MNVKE, JE					
SKV33B-MNVKE					
SKV35B-MNVJE	1554	1614	3/8"	5/8"	
SKV36B-MNVKE, JE					
SKV40B-MNVKE, JE					
SKV48B-MNVKU					
SKV54B-MNVKU					

CDU MODEL	DIMENSION					FAN Q'ty
	W	D	H	A	B	
<b>R-32 INVERTER</b>						1
KCV13B-RSVKE	926	357	580	532	360	
KCV18B-RSVKE						
KCV24B-RSVKE	1055	365	777	639	360	
KCV30B-RSVKE, JE						
KCV33B-RSVKE						
KCV35B-RSVJE	1055	365	980	639	360	
KCV35B-RSYJE						
KCV36B-RSVKE, JE						
KCV40B-RSVKE, JE						
KCV36B-RSYKE, JE	1055	365	980	639	360	
KCV40B-RSYKE, JE						
KCV48B-RSYKU						
KCV54B-RSYKU						



KCV13B-18B

KCV24B-40B (เฉพาะรุ่น 220 V)

KCV36B-40B (เฉพาะรุ่น 380 V)

KCV48B-54B มาตรฐานโรงงาน UCP