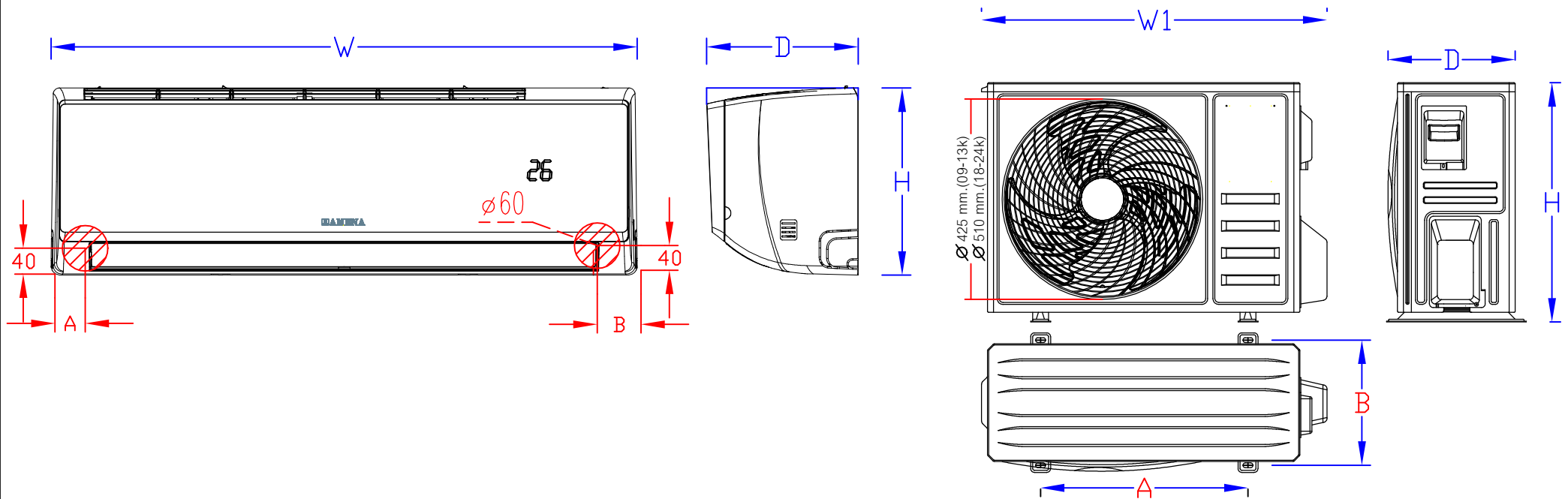


DIMENSION " WHV-MNVTE / HCV-RSVTE "



AMENA



Unit : mm.

FCU MODEL	DIMENSION					PIPE SIZE	
	W	D	H	A	B	Liq.	Suc.
R-32 INVERTER							
WHV09B-MNVTE	782	205	250	50	75	1/4"	3/8"
WHV13B-MNVTE	782	205	250	50	75	1/4"	3/8"
WHV18B-MNVTE	910	220	295	60	80	1/4"	1/2"
WHV24B-MNVTE	1010	230	320	60	100	1/4"	1/2"

CDU MODEL	DIMENSION				
	W1	D	H	A	B
R-32 INVERTER					
HCV09B-RSVTE	790 (15+715+60)	280	500	415	265
HCV13B-RSVTE	790 (15+715+60)	280	500	415	265
HCV18B-RSVTE	875 (15+790+70)	320	600	520	315
HCV24B-RSVTE	875 (15+790+70)	320	600	520	315