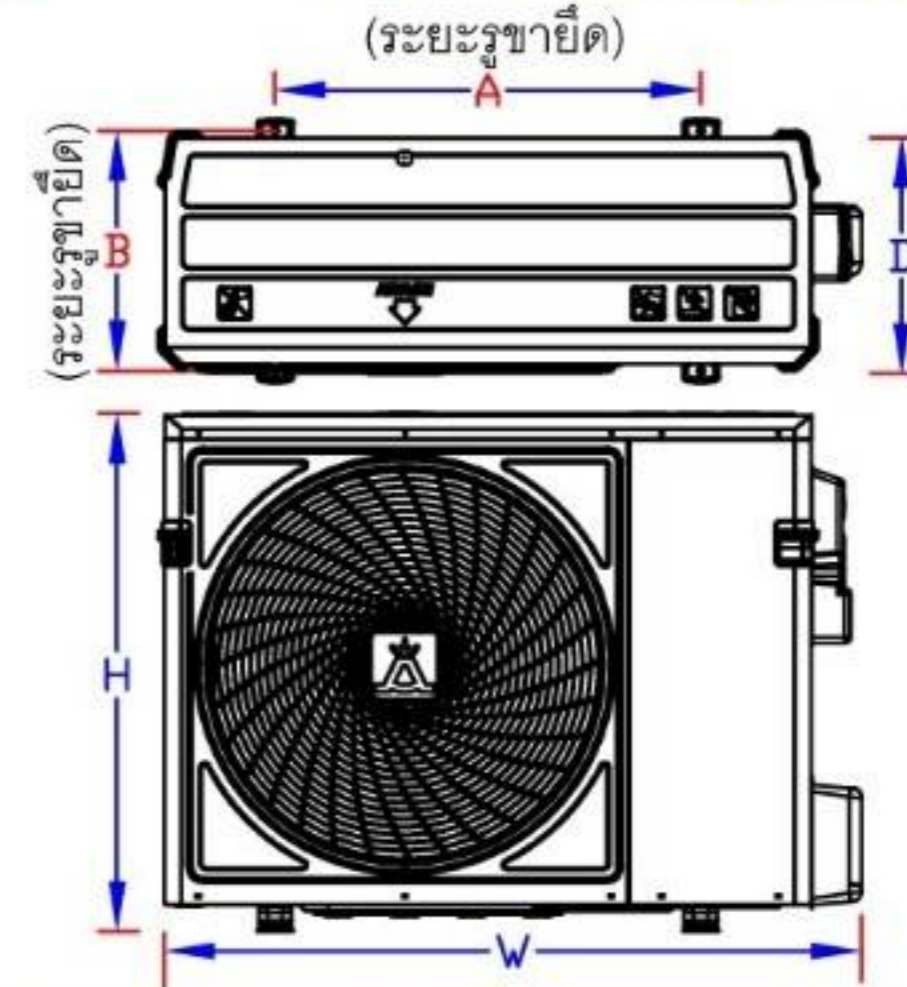
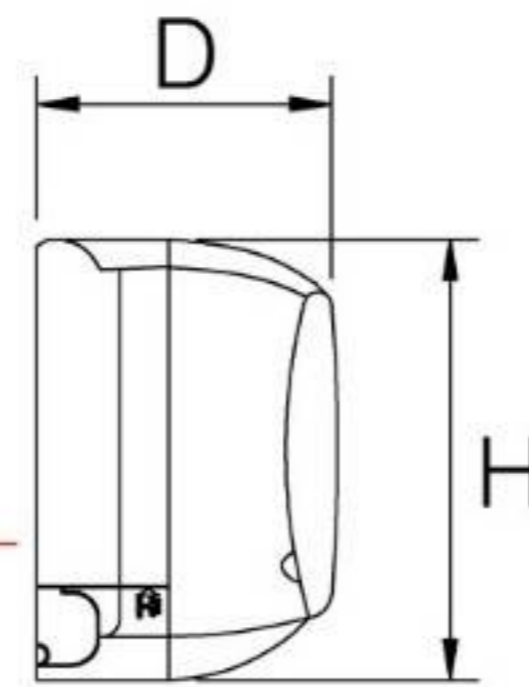
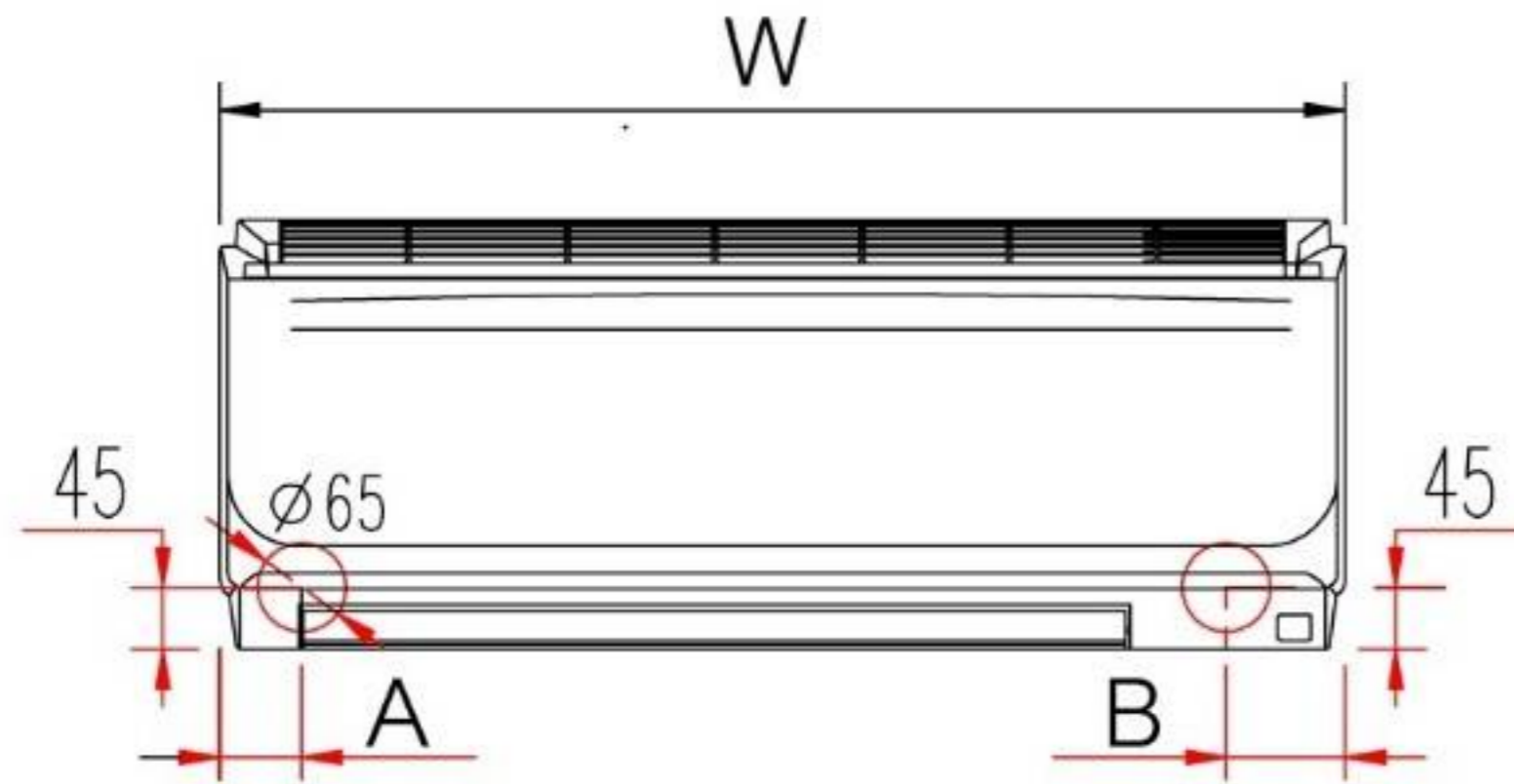


DIMENSION

" WL(R-32) SERIES "



Unit : mm.

FCU MODEL	DIMENSION					PIPE SIZE		REMARK
	W	D	H	A	B	Liq.	Suc.	
R-32 FIXED SPEED								
WL09BA-MNVKE,JE	824	230	315	60	87	1/4"	3/8"	เมนไฟเข้าFCU สายไฟระหว่าง FCU-CDU = 3 เส้น (L1, N1, G)
WL13BA-MNVKE						1/4"	1/2"	
WL18BA-MNVKE,JE	1150	230	315	60	150	1/4"	5/8"	
WL24BA-MNVKE,JE								
WL30B-MNVLE,JE								
WL30B-MNVJM								
WL35B-MNVTE								
WL36B-MNVJM	1557	300	378	120	120	3/8"	5/8"	เมนไฟเข้าCDU สายไฟระหว่าง FCU-CDU = 4 เส้น (L, N, C, G)
WL36B-MNVKE,LE,JE								
WL36B-MNVTE								
WL40B-MNVJE								
WL44B-MNVJE								
WL44B-MNVLU,JU								
WL48B-MNVJE								
WL48B-MNVLU,JU								
WL60B-MNVJE	1/2"	3/4"						
WL60B-MNVJU								

CDU MODEL	DIMENSION				
	W	D	H	A	B
R-32 FIXED SPEED					
KC13BA-RSVKE	810	290	540	540	280
KC18BA-RSVJE	895	310	540	545	315
KC24BA-RSVJE	960	350	700	630	350
KC30B-RSVJM	926	358	740	532	360
KC30B-RSVJE	1055	365	980	639	360
KC35B-RSVTE					
KC36B-RSVTE					
KC36B-RSYJE	926	358	903	532	360
KC36B-RSVJM					
KC36B-RSYJM					
KC40B-RSYJE	1055	365	980	639	360
KC44B-RSYJE					
KC48B-RSYJU					
KC48B-RSYJE					
KC60B-RSYJU					
KC60B-RSYJE					

