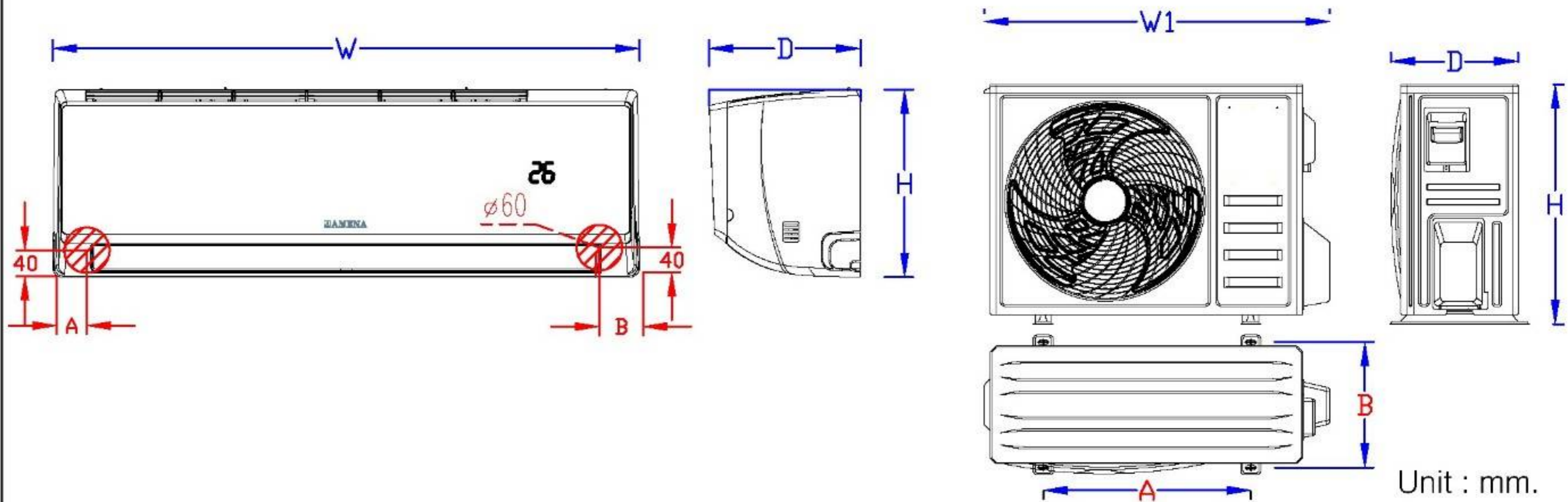


DIMENSION

"WHV / HCV"



FCU MODEL	DIMENSION					PIPE SIZE	
	W	D	H	A	B	Liq.	Suc.
WHV09B-MNVTE WHV09B-MNVJE WHV13B-MNVTE WHV13B-MNVJE	782	205	250	50	75	1/4"	3/8"
WHV18B-MNVHE WHV18B-MNVTE WHV18B-MNVJE	910	220	295	60	80	1/4"	1/2"
WHV24B-MNVTE WHV25B-MNVHE WHV24B-MNVJE	1010	230	320	60	100	1/4"	1/2"

CDU MODEL	DIMENSION				
	W1	D	H	A	B
HCV09B-RSVTE HCV09B-RSVJE HCV13B-RSVTE HCV13B-RSVJE	790 (15+715+60)	280	500	415	265
HCV18B-RSVHE	805 (15+730+60)	280	540	435	265
HCV18B-RSVTE HCV18B-RSVJE HCV24B-RSVTE HCV25B-RSVHE HCV24B-RSVJE	875 (15+790+70)	320	600	520	315